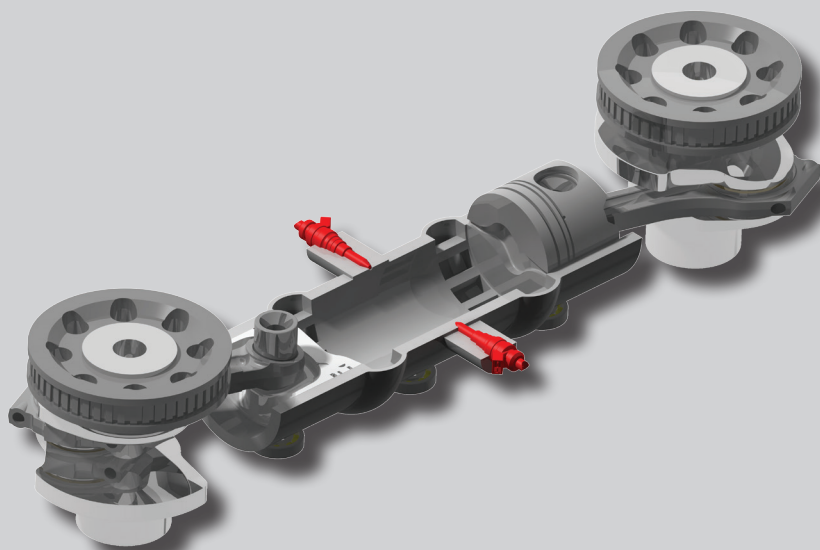




Mirosław Wendeker

Aspects of internal combustion engines in machines



PODRĘCZNIKI

Aspects of internal combustion engines in machines

Podręczniki – Politechnika Lubelska



HUMAN CAPITAL
NATIONAL COHESION STRATEGY

EUROPEAN UNION
EUROPEAN
SOCIAL FUND



*Publication co-financed by the European Union
under the European Social Fund*

Mirosław Wendeker

Aspects of internal combustion engines in machines



Politechnika Lubelska
Lublin 2015

Reviewers:

Dr. hab. inż. Paweł Drożdziel, prof. Politechniki Lubelskiej

Doc. Ing. Dalibor Bárta, PhD

Translation at the sole request of Lublin University of Technology



Free of charge publication.

The publication was prepared and published as a part of the project *Engineer with a warranty of quality – tailoring the course offer of the Lublin University of Technology to the requirements of the European labour market* (agreement number: UDA-POKL.04.01.01-00-041/13-00), co-financed by the European Social Fund, Human Capital Operational Programme, Submeasure 4.1.1.

Publication approved by the Rector of Lublin University of Technology

© Copyright by Lublin University of Technology 2015

ISBN: 978-83-7947-131-7

Publisher: Lublin University of Technology
ul. Nadbystrzycka 38D, 20-618 Lublin, Poland

Realization: Lublin University of Technology Library
ul. Nadbystrzycka 36A, 20-618 Lublin, Poland
tel. (81) 538-46-59, email: wydawca@pollub.pl
www.biblioteka.pollub.pl

Printed by : TOP Agencja Reklamowa Agnieszka Łuczak
www.agencjatop.pl

The digital version is available at the Digital Library of Lublin University of Technology: www.bc.pollub.pl
Circulation: 200 copies